

6

5

4

3

2

1

D

C

B

A

Title: <b>DIAGRAM</b>	
Drawing No:	Version: <b>V1.0</b>
Drawn By:	Date: <b>20210219</b>
Checked By:	Date:
Approved By:	Date:
Size: <b>A3</b>	Sheet: <b>1/4</b>

6

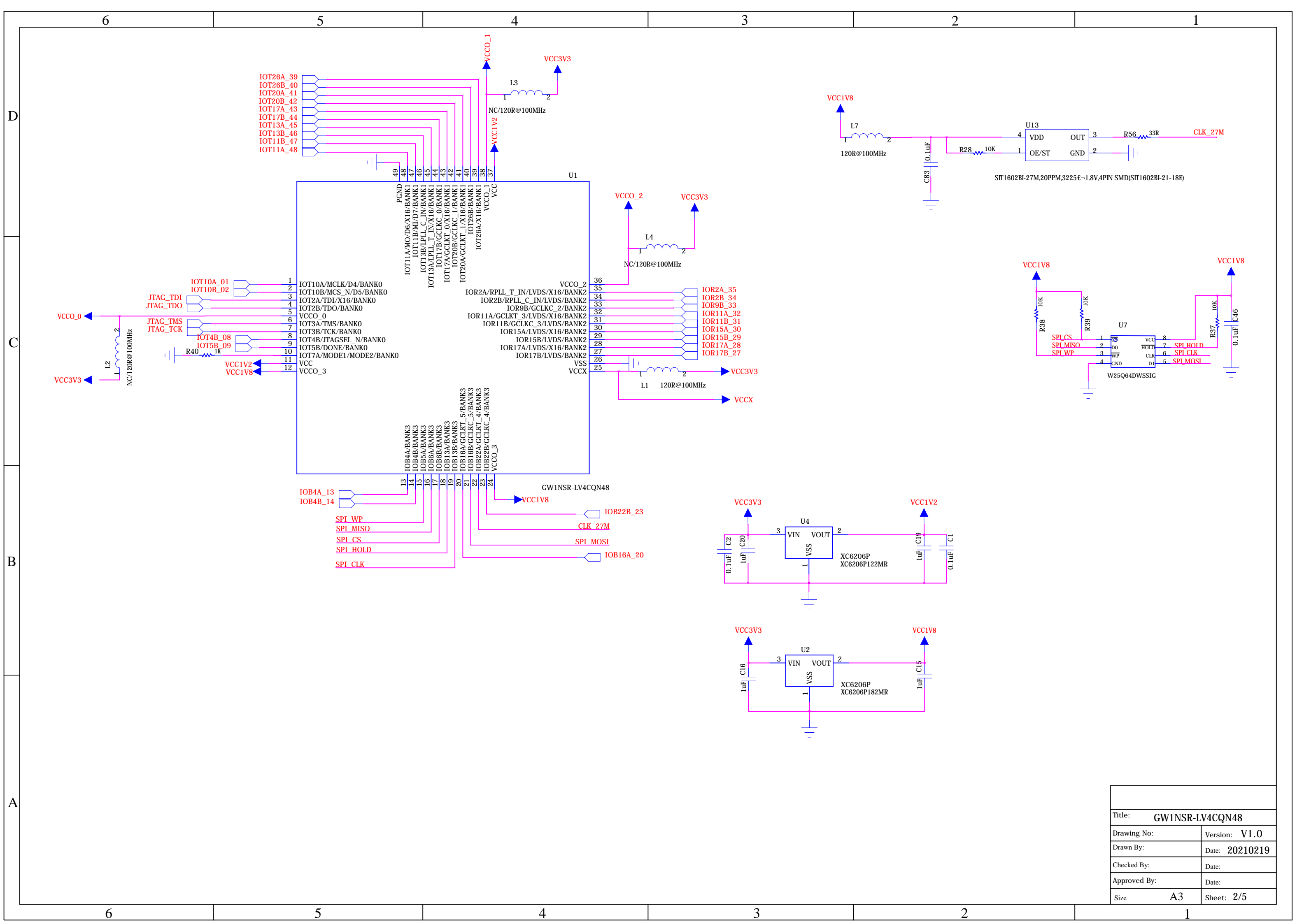
5

4

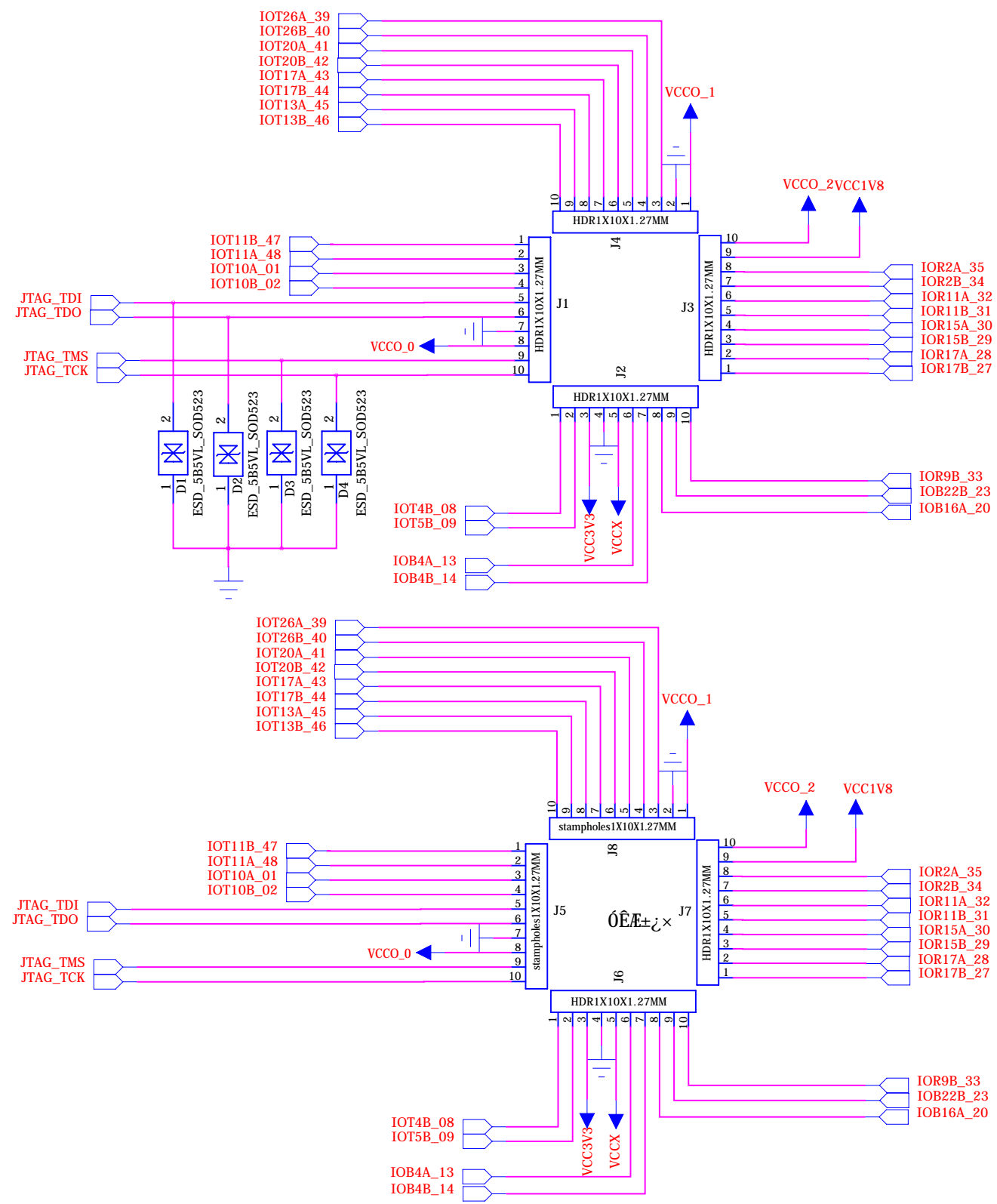
3

2

1



Title: <b>GW1NSR-LV4CQN48</b>	
Drawing No:	Version: <b>V1.0</b>
Drawn By:	Date: <b>20210219</b>
Checked By:	Date:
Approved By:	Date:
Size: <b>A3</b>	Sheet: <b>2/5</b>



Title: <b>POWER</b>	
Drawing No:	Version: <b>V1.0</b>
Drawn By:	Date: <b>20210219</b>
Checked By:	Date:
Approved By:	Date:
Size: <b>A3</b>	Sheet: <b>3/4</b>