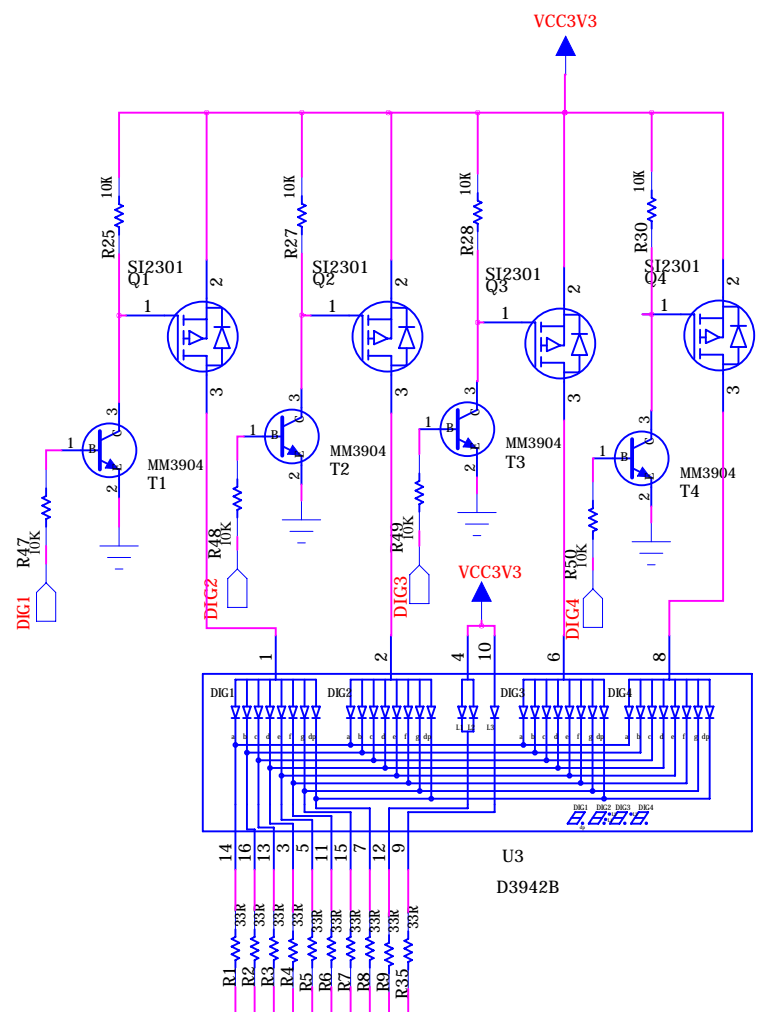


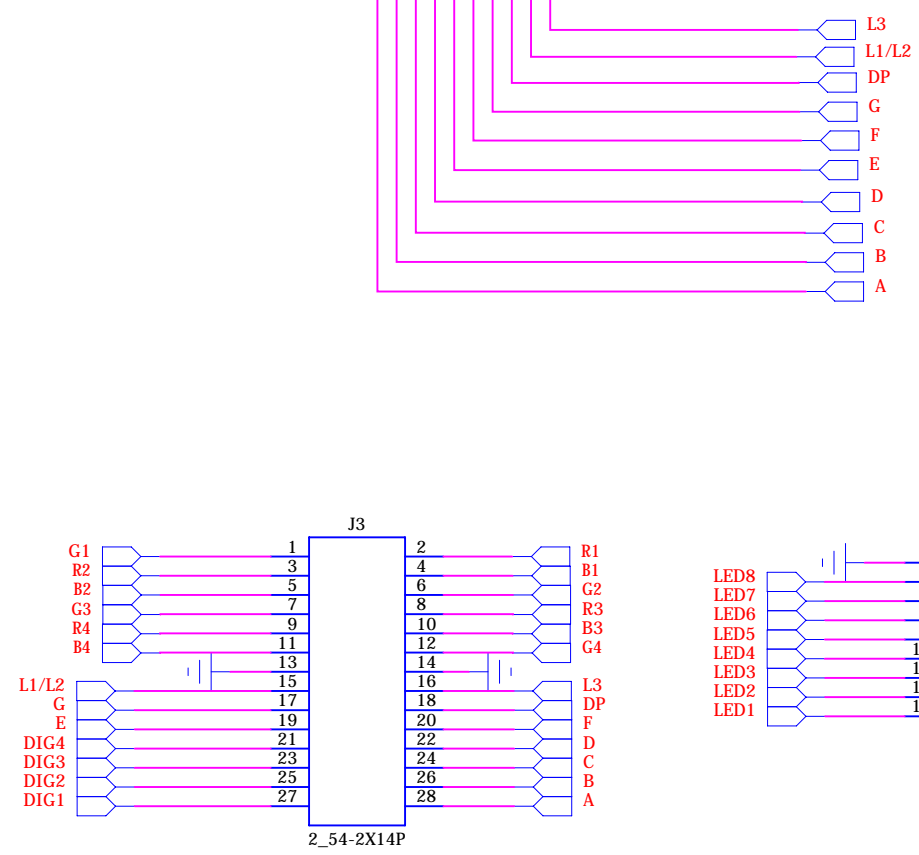
D



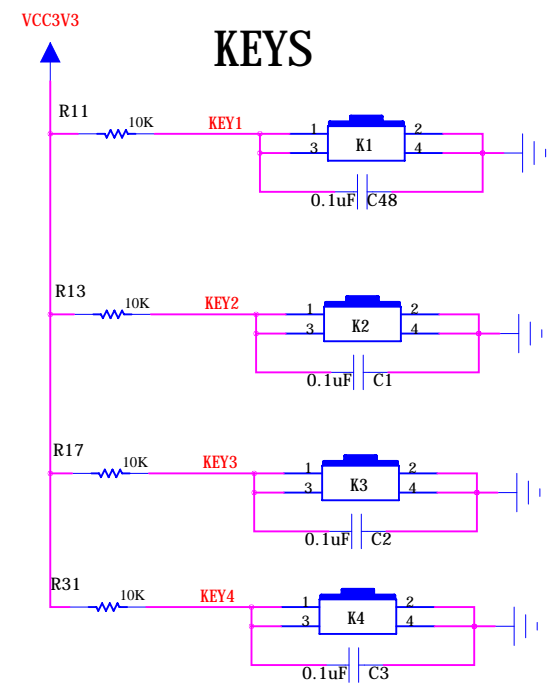
C

B

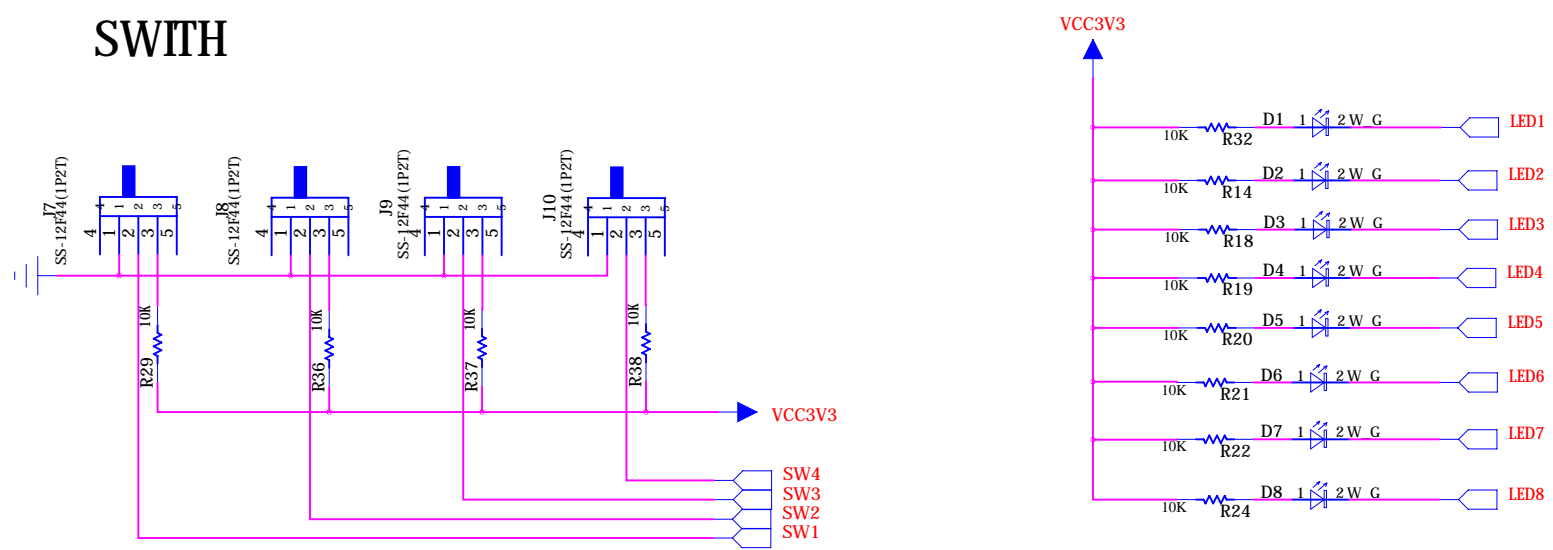
A



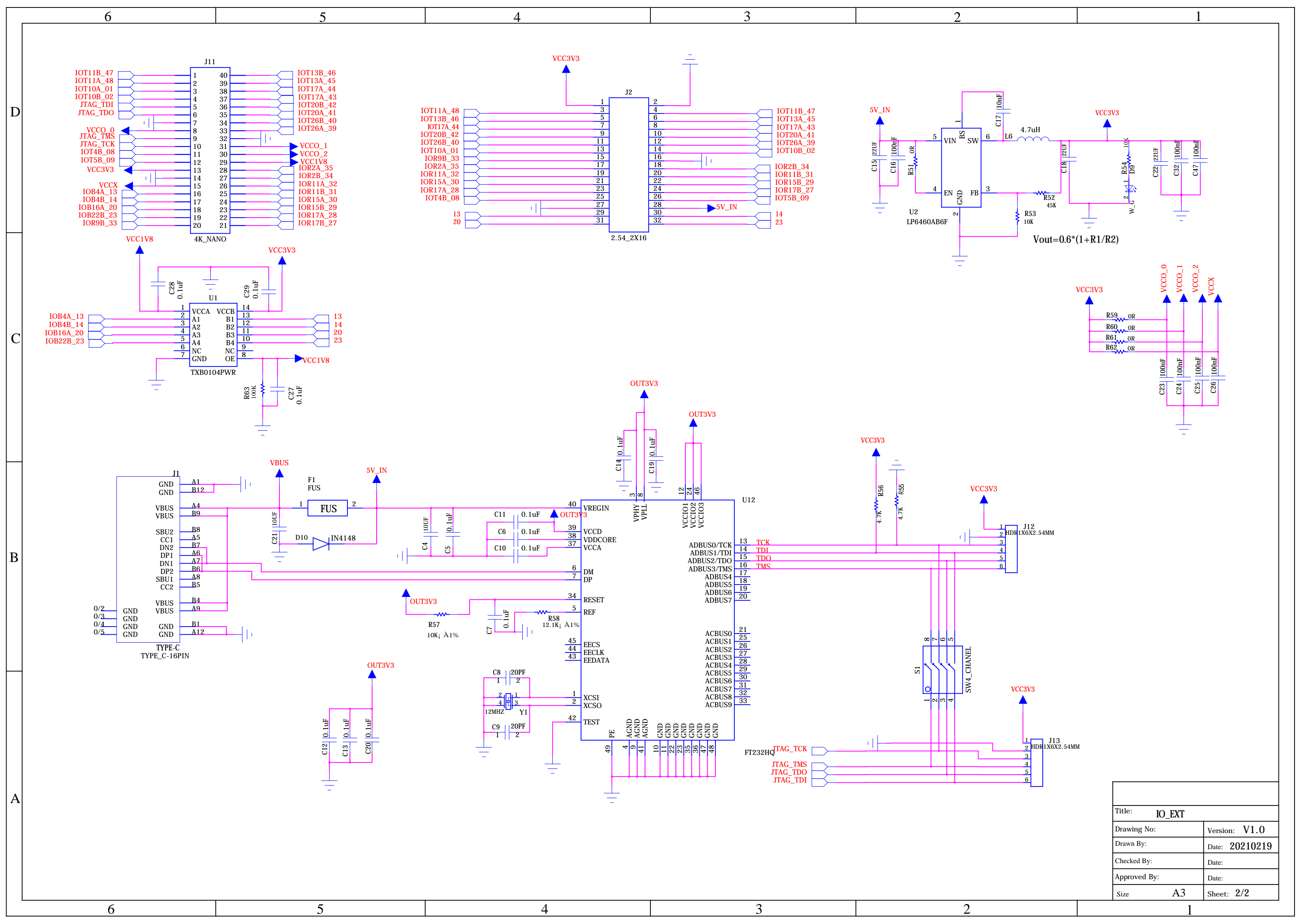
KEYS



SWITH



Title: $\text{Ëÿ\text{Ä}ë^1\text{Ü}´\text{«}, \text{D}\text{Æ}÷^1 \text{Ä}\text{Ü}^\circ \text{æ}$	
Drawing No:	Version: V1.0
Drawn By:	Date: 20210219
Checked By:	Date:
Approved By:	Date:
Size A3	Sheet: 1/2



Title: IO_EXT	
Drawing No:	Version: V1.0
Drawn By:	Date: 20210219
Checked By:	Date:
Approved By:	Date:
Size: A3	Sheet: 2/2